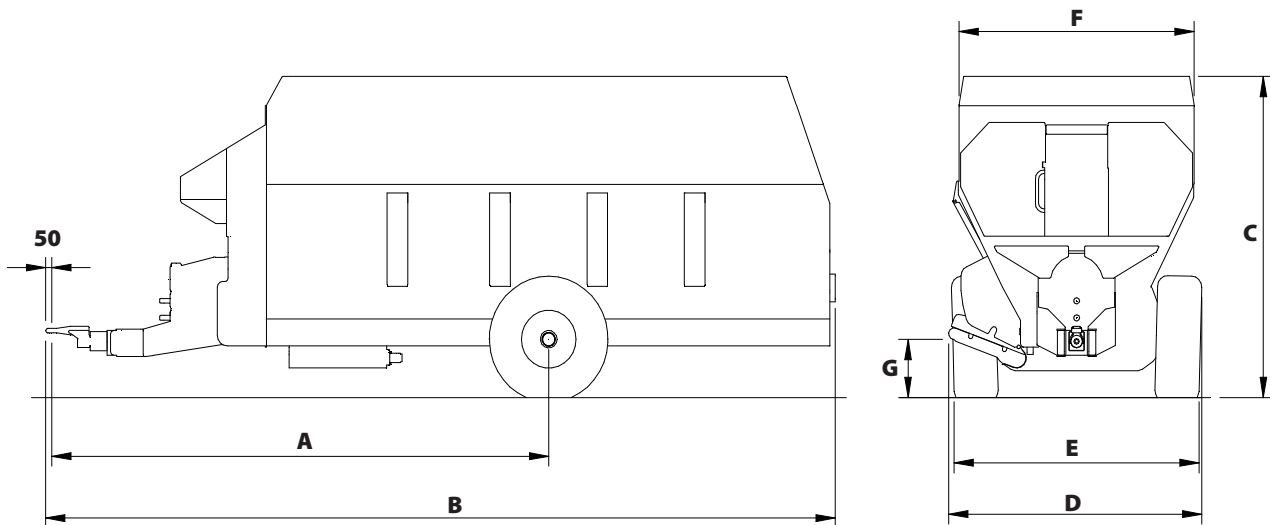


DOGO MT

Mixer wagon

Machines are supplied according to CE Norms 2006/42/CE including use and instruction manual and wheel-stopper wedge



	m ³	A	B	C	D	E	F	G	H	I	J	Required power	Empty weight	Full load weight
		mm	mm	mm	mm	mm	mm	mm	mm	mm	mm	kW - HP	kg	kg
Dogo MT 220	22	4.660	7.220	2.960	2.460	2.420	2.390	540				74 - 100	8160 *	15500
Dogo MT 250	25	4.820	7.720	2.960	2.460	2.420	2.390	540				88 - 120	8900 *	17000
Dogo MT 280	28	5.050	7.920	3.160	2.460	2.420	2.390	540				103 - 140	10000*	19500

* Approximate weight. The empty weight varies depending on the options installed on the machine

Mixing

Augers number :

- 1 cutting-mixing bottom auger
- 2 mixing upper side augers

Lower auger transmission : by planetary gearbox
pto tractor side 1000 rpm

Lower auger rpm :
mod. 220-250-280: 12,3 rpm

Upper augers rotation : by chains

Bearings lubrication : by grease

DOGO MT

Mixer wagon

Machines are supplied according to CE Norms 2006/42/CE including use and instruction manual and wheel-stopper wedges

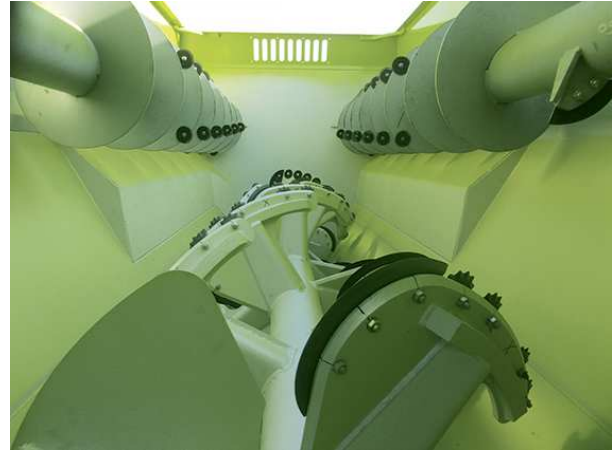
Cutting devices

Blades on the bottom auger :

	Half moon	Ovals piranha
mod. 220 :	17	60
mod. 250 :	19	68
mod. 280 :	20	72



Counterblade : a rectangular bar on the tank bottom (removable)



Hydraulic system

Standard :
Hydraulic system by tractor using 2 connecting pipes

Oil flow needed : 25 l/min - 140 bar

Optional :
Independent hydraulic system

Discharge conveyor

Type : by PVC conveyor belt

Standard discharge :
mod. 220-250-280 : M 6.5 on right side, width 950 mm

Powered : by orbital hydraulic motor BG80 type

Electrical weighing system

Type : 1 load cell, Ø 80 mm
4 load cell, Ø 63 mm

Operation : manual control

Wheels

Standard wheels with reinforced rims :

mod. 220-250-280 : 445/65 R22.5 new